

Installation Instructions Roof or Wall Ventilator Model LOHE

PLEASE READ ENTIRE INSTRUCTIONS BEFORE PROCEEDING.

IMPORTANT: Save these instructions for the Local Electrical Inspector's use.

INSTALLER: Please leave these instructions with this unit for the owner.

OWNER: Please retain these instructions for future reference.

SAFETY WARNING: Turn off power circuit at the service panel and lock out panel, before wiring this unit.

IMPORTANT SAFETY INSTRUCTIONS

- ◆ **SAFETY WARNING:** Before servicing or cleaning the unit, switch power off at service panel and lock out the electrical service to prevent power from being switched on accidentally. When the service disconnecting means cannot be locked, attach a tag to the service panel to indicate power has been switched off for maintenance. Always use standard "Lock Out/Tag Out" tool.
- ◆ **WARNING - TO REDUCE THE RISK OF FIRE, ELECTRIC SHOCK, OR INJURY TO PERSONS, OBSERVE THE FOLLOWING:**
 - A. Installation work and electrical wiring must be done by qualified person(s) in accordance with all applicable codes and standards, including fire-rated construction.
 - B. Sufficient air is needed for proper combustion and exhausting of gases through the flue (chimney) of fuel burning equipment to prevent backdrafting. Follow the heating equipment manufacturer's guidelines and safety standards such as those published by the National Fire Protection Association (NFPA), and the American Society for Heating, Refrigeration and Air Conditioning Engineers (ASHRAE), and the local code authorities.
 - C. When cutting or drilling into a wall or ceiling, do not damage electrical wiring and other hidden utilities.
 - D. To properly exhaust air, be sure to duct air out side. Do not vent exhaust air into spaces within walls, ceilings, attics, crawl spaces, or garages.
- ◆ **WARNING - TO REDUCE THE RISK OF FIRE, USE ONLY METAL DUCTWORK.**
- ◆ **CAUTION - For General Ventilation Use Only. Do Not Use To Exhaust Hazardous Or Explosive Materials And Vapors.**

READ AND SAVE THESE INSTRUCTIONS

**Recommended for use only over conventional grills,
and use with an approved Lynx hood.**

WARNING:

Disconnect power before installing switch.
Before turning power on, be sure that all controls are in the OFF position.

CURB FOR FLAT ROOF

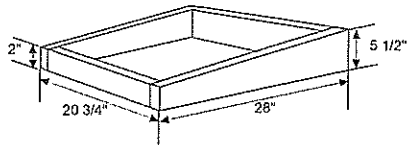


Fig. 1

WALL INSTALLATION

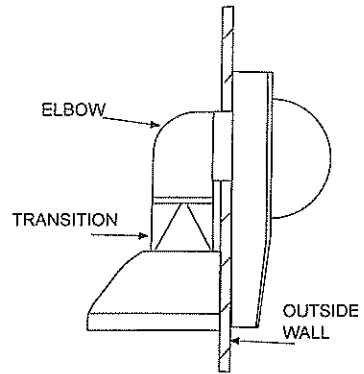


Fig. 2

TYPICAL INSTALLATION

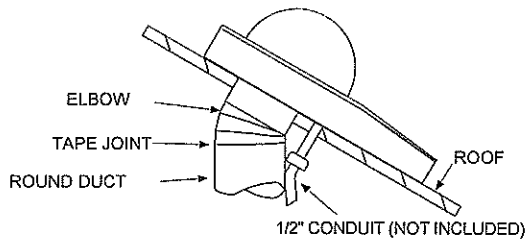


Fig. 3

DIRECT DUCT INSTALLATION

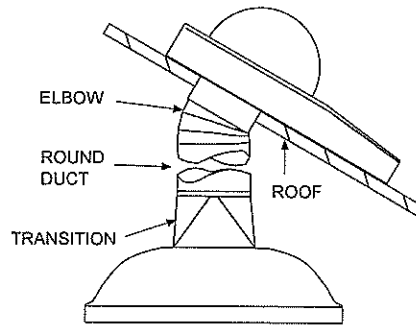


Fig. 4

REMOTE VENTILATOR DIMENSIONS

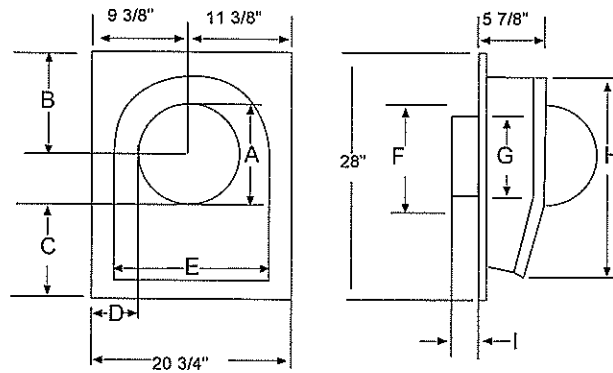


Fig. 5

MODEL	A	B	C	D	E	F	G	H	I
LOHE	10" Dia.	10 3/4"	10 1/4"	3 1/8"	17 5/8"	10 3/4"	10"	26 1/4"	4"

I. MOUNTING REMOTE FAN LOHE ON ROOF OR OUTSIDE WALL

Check to see if blower wheel turns freely. Do not replace top until installation is complete. The remote fan must be installed such that the exhaust/discharge is 12" minimum from the ground level. However, there are some local codes that do not permit this type of installation. Heavy snowfall will prevent the damper from opening due to snow blockage. The installer should check local codes for outdoor wall installation of the fan.

1. Provide 14" x 14" square hole through roof or wall, or cut round hole for duct with a separate hole for electrical conduit as shown in Figure 6.
2. For installation on a flat roof, or roofs with pitch less than 1 1/2" in 12 inches, install LOHE on curb so that the discharge (low) end points away from prevailing winds.
3. Install the remote fan on the roof or wall (with discharge pointing down slope) according to the Standard Roofing Procedures: (front discharge edge should be on the top of shingles and the rear edge underneath the shingles).

Note: The unit must be sealed between the roof (or wall) and the underside of the flange with roofing mastic to prevent leaks.

4. Connect fan to the exhaust system 10" round duct for LOHE. Use adjustable elbow to adjust to roof angle.
5. Duct tape all joints to prevent air leaks.
6. Clearance to combustible material is 0".

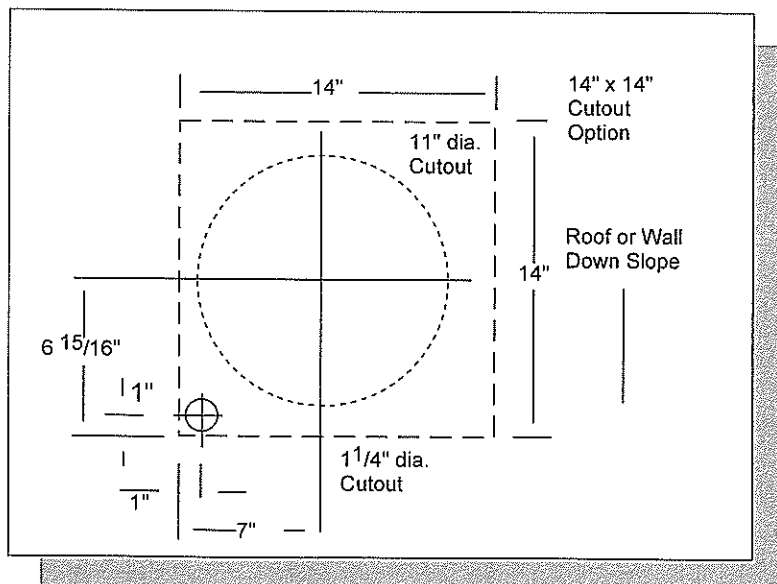


Fig. 6
LOHE Cut out Dimensions

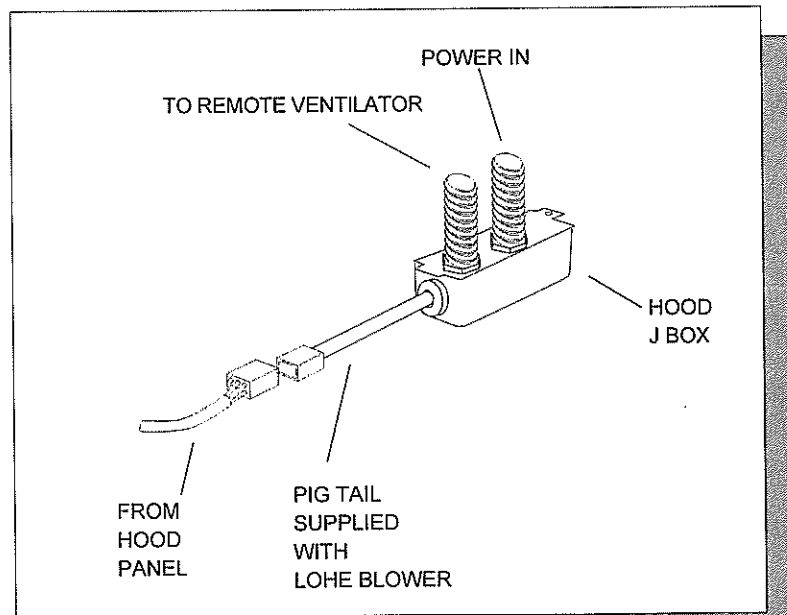
II. WIRING A LOHE REMOTE VENTILATOR USING THE HOOD SPEED CONTROL

1. Power supply required for these ventilators is 15 amps. @ 120V. AC, 60Hz. connected per local codes.
2. Run three #14 AWG. wires (black, white and green) from the power supply at the electrical circuit panel to the hood J-box. See Detail A.
3. Run five wires from hood J-box through the walls to the remote ventilator, using color coded wires corresponding to color codes indicated in figure 8.
4. The white plastic Molex electrical connector inside the hood feeds the power to the remote ventilator. Use the receptacle connector provided with the ventilator and plug into the connector in the hood. Within the J-box connect the black, white, red and blue wires from the remote ventilator to the black, white, red and blue wires of the "pigtail". Connect the green (ground) wire to the ground wire from the service panel.

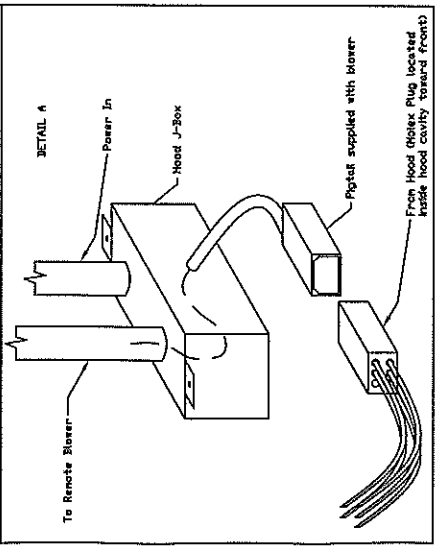
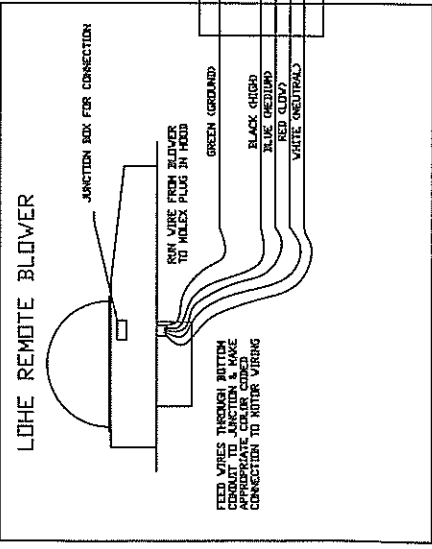
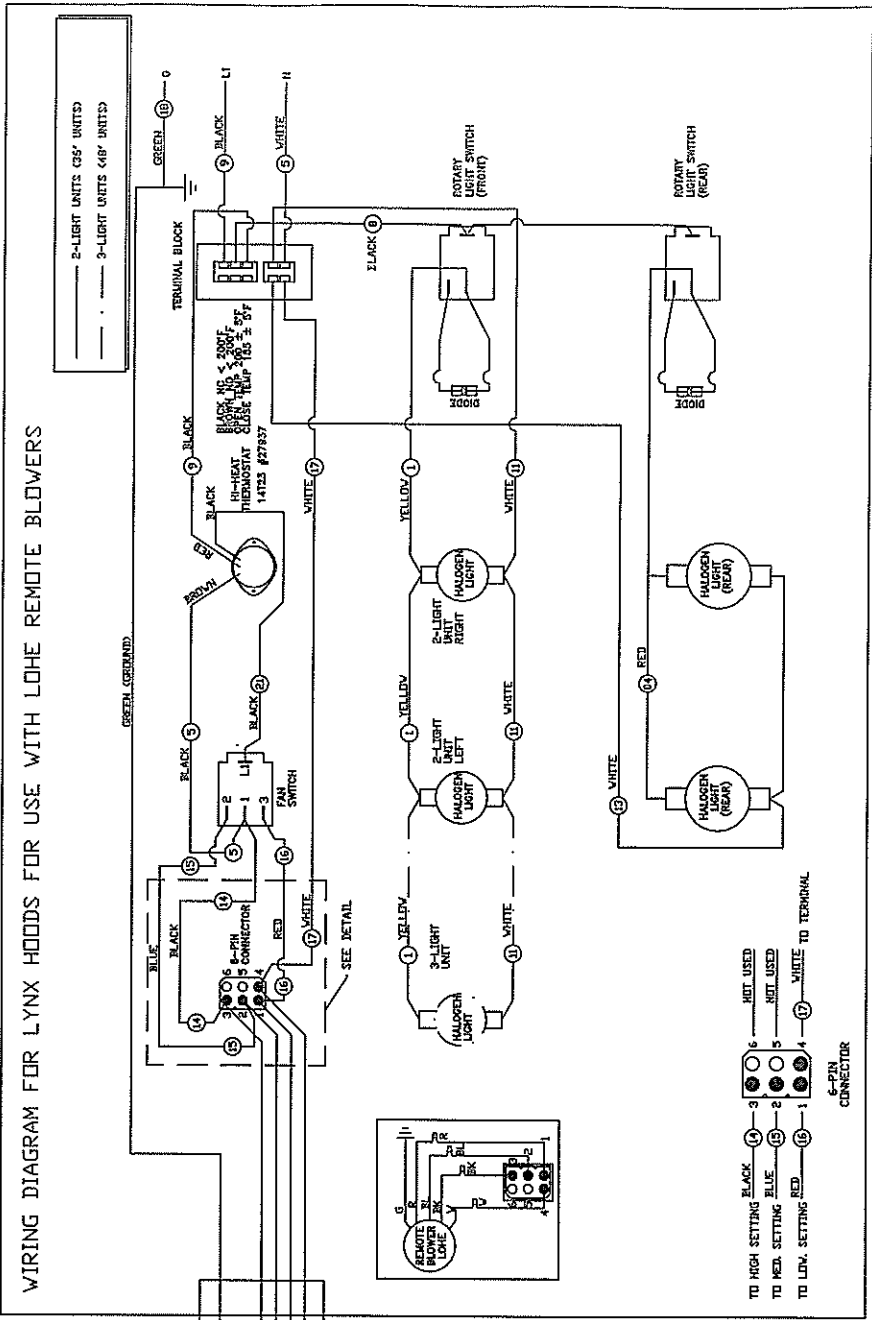
WARNING:

Disconnect power before installing switch.

Before turning power on, be sure that all controls are in the OFF position.



Detail A



INSTALLATION MUST COMPLY WITH ALL LOCAL CODES.

VENTILATION TIPS

1. Appliances such as Ranges, Cooktops, Barbecue Units, Grills, etc., require adequate ventilation. Hood should be large enough and Cooking Appliances located so that the Hood overhangs the Cooking Surface as much as possible.
2. Consult a competent Kitchen Designer or Ventilation Engineer for proper hood size and C.F.M. requirements.
3. Provide make-up air input to the kitchen so exhausted air is not drawn through the furnace unit or down through the chimney.
4. Locate the Cooking Area for minimum cross drafts, away from doors and windows, etc. when possible.
5. For best performance duct runs should be as short and as straight as possible. Where turns are necessary, keep turning radius as large and as smooth as possible.

⚠ WARNING - TO REDUCE THE RISK OF A RANGE TOP GREASE FIRE:

- a) Never leave surface units unattended at high settings. Boilovers cause smoking and greasy spillovers that may ignite. Heat oils slowly on low or medium settings.
- b) Always turn hood ON when cooking at high heat or when cooking flaming foods.
- c) Clean ventilating fans frequently. Grease should not be allowed to accumulate on fan or filter.
- d) Always use cookware appropriate for the size of the surface element.

