



Installation Instructions Wall Hoods Outdoor Applications

**PLEASE READ ENTIRE INSTRUCTIONS BEFORE PROCEEDING.
INSTALLATION MUST COMPLY WITH ALL LOCAL CODES.**

IMPORTANT: Save these instructions for the Local Electrical Inspector's use.

INSTALLER: Please leave these instructions with this unit for the owner.

OWNER: Please retain these instructions for future reference.

SAFETY WARNING: Turn off power circuit at the service panel and lock out panel, before wiring this unit.

IMPORTANT SAFETY INSTRUCTIONS

CAUTION - TO REDUCE THE RISK OF FIRE, ELECTRIC SHOCK, OR INJURY TO PERSONS, OBSERVE THE FOLLOWING:

1. Use this unit only in the manner intended by the manufacturer. If you have any questions, contact Lynx Grills, Inc. (888) 289-5969
2. Before servicing or cleaning the unit, switch power off at service panel and lock the service disconnecting means to prevent power from being switched on accidentally. When the service disconnecting means cannot be locked, attach a tag to the service panel to indicate power has been switched off for maintenance.
3. Install this Rangehood Only with Remote Blower Models Rated Maximum 12.8A or Integral Blowers Models LOHI and LOHE.

CAUTION - TO REDUCE THE RISK OF FIRE:

1. Never leave grill unattended.
2. Always turn hood ON when cooking.
3. Clean ventilating fans frequently. Grease should not be allowed to accumulate on fan or filter.

CAUTION - TO REDUCE THE RISK OF INJURY TO PERSONS, IN THE EVENT GREASE FIRE, OBSERVE THE FOLLOWING:

1. BE CAREFUL TO PREVENT BURNS. If the flames do not go out immediately, EVACUATE AND CALL THE FIRE DEPARTMENT.
2. DO NOT USE WATER, including wet dish-cloths or towels - a violent steam explosion will result.

3. Use an extinguisher **ONLY** if:
 - a. You know you have a class ABC extinguisher, and you already know how to operate it.
 - b. The fire is small and contained in the area where it started.
 - c. The fire department is being called.
 - d. You can fight the fire with your back to an exit.

CAUTION: FOR GENERAL VENTILATION USE ONLY. DO NOT USE TO EXHAUST HAZARDOUS OR EXPLOSIVE MATERIALS OR VAPOR.

IMPORTANT SAFETY INSTRUCTIONS FOR INSTALLATION

CAUTION -

TO REDUCE THE RISK OF FIRE, ELECTRIC SHOCK, OR INJURY TO PERSONS, OBSERVE THE FOLLOWING:

CAUTION: FOR GENERAL VENTILATION USE ONLY. DO NOT USE TO EXHAUST HAZARDOUS OR EXPLOSIVE MATERIALS OR VAPORS.

- A. Installation work and electrical wiring must be done by a qualified person in accordance with all applicable codes and standards, including fire-rated construction.
- B. Sufficient air is needed for proper combustion and exhausting of gases through the flue (chimney) of fuel burning equipment to prevent

backdrafting. Follow the heating equipment manufacturer's guidelines and safety standards such as those published by the National Fire Protection Association (NFPA), and the American Society for Heating, Refrigeration and Air Conditioning Engineers (ASHRAE), and the local code authorities.

- C. When cutting or drilling into a wall or ceiling, do not damage electrical wiring and other hidden utilities.
- D. Ducted fans must always be vented to the outdoors.

E. CAUTION - TO REDUCE THE RISK OF FIRE, USE ONLY METAL DUCTWORK.

- F. Install this hood in accordance with all requirements specified by the manufacturer.
- G. Install this hood using required clearance from cooking surface to combustible material specified by the manufacturer.

READ AND SAVE THESE INSTRUCTIONS

INSTALLATION PRECAUTIONS

- The high degree of craftsmanship in the construction and finish of your hood requires careful handling to ensure proper installation.
- Do not remove your hood from its carton until you are ready to hang it.
- Do not store your hood anywhere other than within the carton. If it is necessary to remove your hood from the carton, arrange it on a blanket or padded area that will protect your hood from scratches or indentations.
- Do not lift the hood by its utensil rail. Place your fingers under the lower reveal of the hood. Grasp firmly and lift.
- Cotton gloves are preferable. They will protect the surface from fine scratches and eliminate fingerprints.
- Remove all rings, watches, belt buckles, and jackets (snaps-zippers) to prevent scratch marks.
- Do not remove the cotton flannel from your hood until the installation process is complete. It will be necessary to remove only a small portion on the back-side of a wall mounted hood in order to position in place.
- Located within the hood cavity (behind the baffle filter) are component parts and halogen bulbs.

INSTALLATION PLANNING

CHECK THE INSTALLATION LOCATION

- If your installation has been roughed-in (including ductwork and wiring), be certain there are no obstructions in the way of the mounting, pipes, other wiring, etc.
- If the installation has not been roughed in, check what is needed to create the framing and mounting hardware (allthreads, nuts, etc.). Be sure the location will not interfere with wiring, other utilities, or structural considerations.

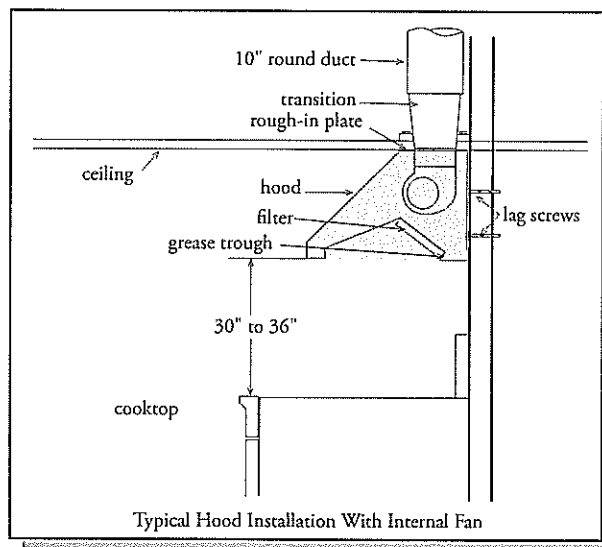
CHOOSE THE INSTALLATION METHOD

There are several different methods available to mount the hood: the Unistrut, Angle Iron, Frame In, Wall Mount and Rough-In Plate Mount, which can be used for both indoor and outdoor applications. Please check the model options for the suggested methods of your installation. Each hood type and site requirements are presented as follows.

INSTALLATION QUESTIONS? PLEASE DIAL:
(888) 289-5969

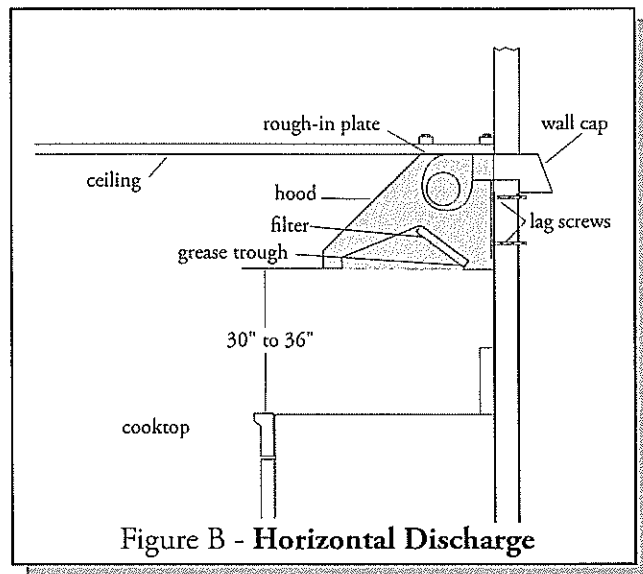
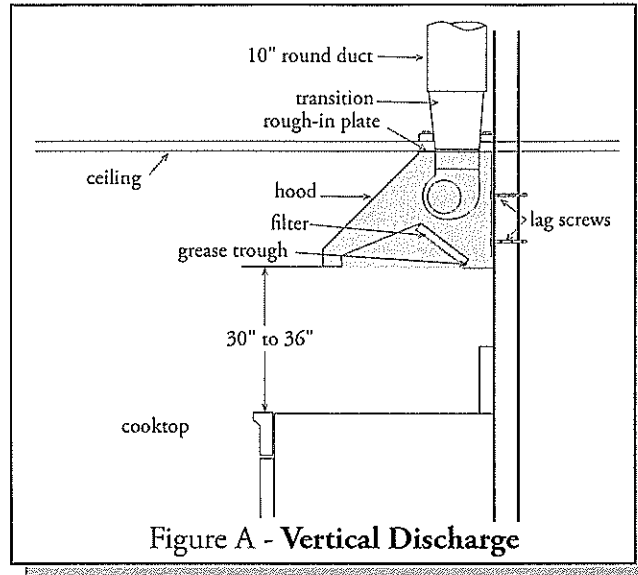
WALL MOUNTED HOODS

1. Use 2x4s, Unistrut or Angle Iron, to construct the framing. The considerable weight of the hood makes this necessary.
2. Mark the center location of the hood. Install two 2x4s (wide side down), Unistrut or Angle Iron, across ceiling joists with outer edges aligned with the existing ceiling joist.
3. Drill two 7/16" diameter holes in the 2x4s, Unistrut or Angle Iron, the same distance apart as the nuts in the top of the hood, plus the finished drywall thickness. This ensures the hood is tightly fitted against the wall. Install wooden spacers if necessary to ensure the top of the hood is flush with the ceiling.
4. Insert all four of the allthread bolts into the top of the hood. (Approximately 3")
5. While lifting the hood, guide and position the allthread through the 2x4s, Unistrut or Angle Iron, (At least 2 people are recommended for this step)
7. Secure the hood with 3/8" nuts (do not tighten).
8. Adjust hood to proper location and tighten nuts. A second nut should be used as a locknut to prevent vibration and ensure stability.
9. Locate studs and drill 3/8" diameter holes through back panel. Secure hood to wall with (4) 1/4" x 1-1/2" lag screws.
10. Connect the duct to hood using 3 sheet metal screws and seal all joints with silicone or duct tape.
11. Make electrical connections. (An electrical contractor should make all electrical connections. See wiring diagram.)



CAUTION: Vent unit to outside of building.

ROUGH-IN PLATE MOUNTED



TYPICAL INSTALLATION

Most hoods are designed for either vertical or horizontal discharge as shown in Figure A and B respectively.

STEP 1. INSTALLATION OF ROUGH-IN PLATE

1. The hood unit is shipped with the rough-in plate and the transition attached.

Note: The transition is shipped upside down within the hood unit and must be removed and reinstalled. (See Figures 1 through 3.)

2. To detach the rough-in plate/transition from the hood unit, remove the four (4) screws on the top and four (4) screws on the back of the unit as shown in Figure 1.
3. Detach the transition from the rough-in plate by removing four (4) screws. The shipping screws are needed for re-attaching the transition to the rough-in plate.
4. Secure the transition to the top of the rough-in plate, using four (4) screws provided. Use duct tape to seal the joints of the transition and the top of the rough-in plate. (See Figure 2.)
5. Mark the center of the rough-in plate and align with the center of the soffit. (See Figure 3.)
6. Install rough-in plate to the soffit, using four (4) #10x1" screws packed with the plate. (See example for 36" hood in Figure 3.) These screws must be driven into the soffit framing.
7. Secure the back side of the rough-in plate to the wall stud.

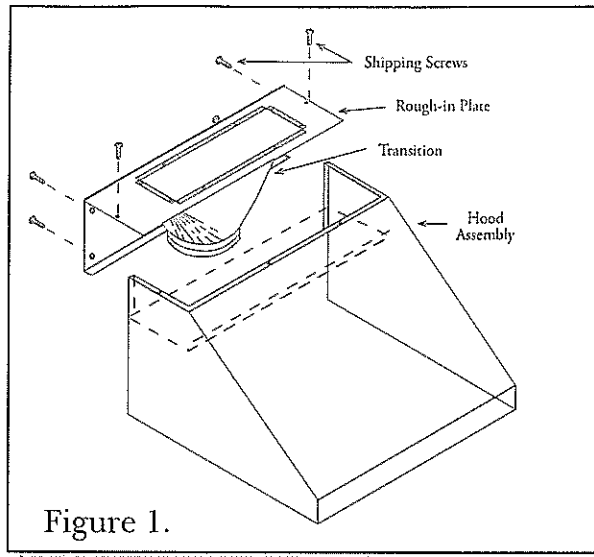


Figure 1.

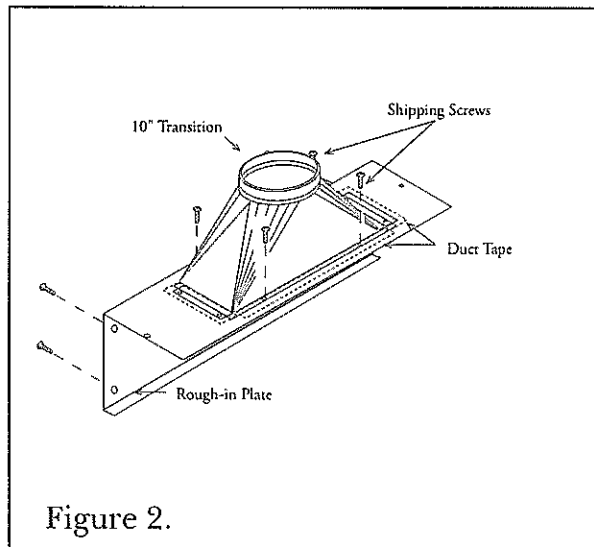


Figure 2.

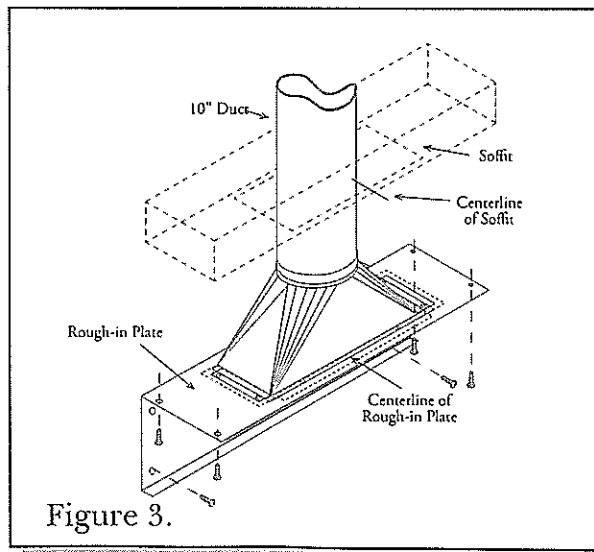
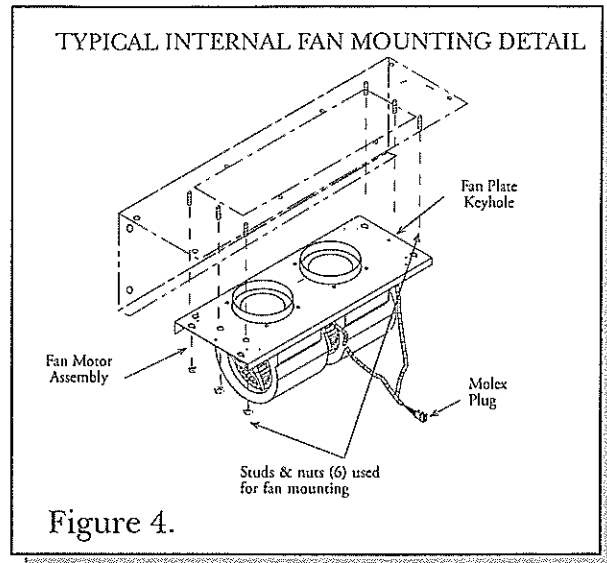


Figure 3.

STEP 2. MOUNTING THE IN-HOOD FAN

Instructions for mounting the LOHI fan into the LYNX wall hoods.

1. Install the fan by aligning the holes on the fan to the weld studs on the rough-in plate. Tighten the fan to the plate using the hex nuts provided. (See Figure 4.)
2. Plug the "Molex" plug on the fan to the "Molex" plug on the hood. (See Figure 4.)



STEP 3. DUCTING CONNECTION

1. For in-hood fans, use 10" round-duct from the transition (provided).
2. For remote fans, use 10" round-duct from the transition (provided) to the remote fan.
3. The length of ducting should be as short and straight as possible for best performance of fan. SEAL ALL JOINTS WITH DUCT TAPE.

STEP 4. ELECTRICAL CONNECTION

1. Install three wires: black, white and green (#16 AWG) in 1/2" conduit from the service panel to the hood junction box. Power supply must be rated for 120v, 60Hz, 15 amps (minimum).
2. Remove junction box and selected knockout. Then install the strain relief (conduit) connector in the rough-in plate hole.
3. Remove the junction box from the rough-in plate. Connect black wire to power supply black wire, white wire to power supply white wire, and green wire to power supply green wire.
4. Place all wiring connectors inside junction box and re-install on rough-in plate.

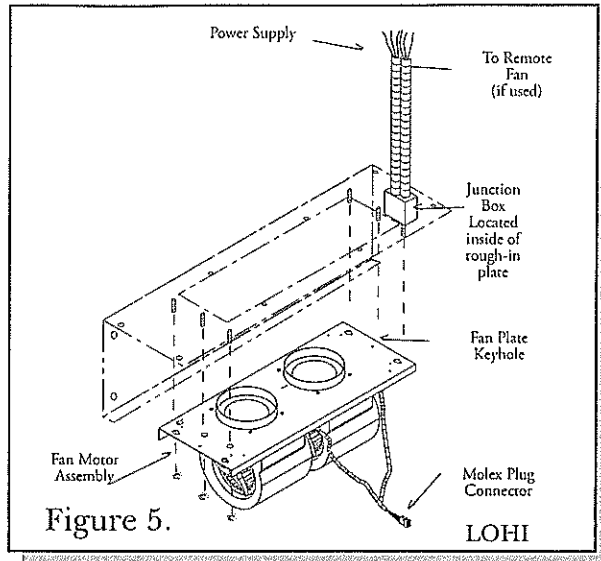
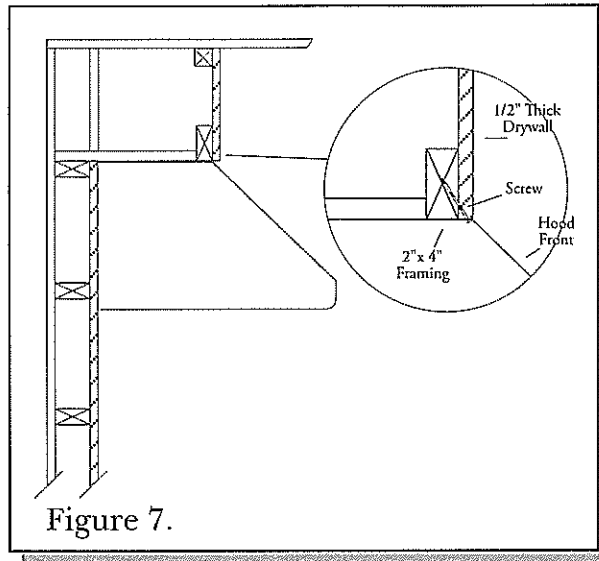
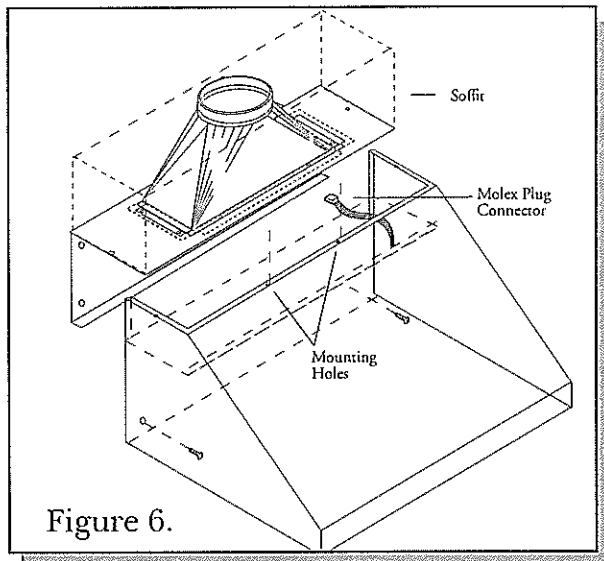


Figure 5.

STEP 5. INSTALLATION OF HOOD UNIT

1. Install the hood unit to the rough-in plate by aligning the weld studs on the rough-in plate with the slotted holes on the back of the hood unit. (See Figure 6.)
2. Using the hex nuts provided, secure the hood assembly to the rough-in plate.
3. If using internal fan LOHI, plug the fan Molex plug into mating hood Molex plug.
4. Install the remaining #10 x 1" screws into the lower section of hood. (See Figure 6, and front area of hood Figure 7.)



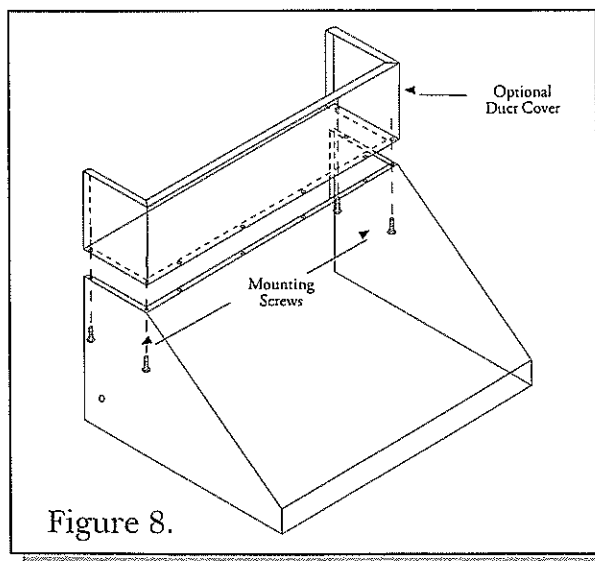
OPTIONAL DUCT COVER

1. Install the hood as described in "Hood Rough-In Plate Mount"

Note: Be sure to allow enough room for duct cover width on the top section of the rough-in plate.

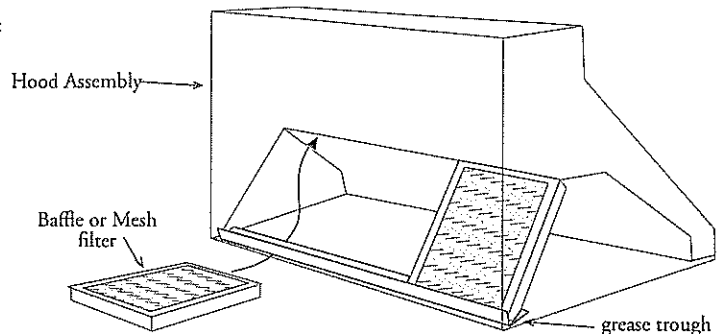
2. Slide Duct Cover into opening.
3. Attach Duct Cover from the inside of the hood through filter opening using the screws provided. (See figure 8.)

Note: Do not completely tighten screws until all components have been installed. At this point, check the alignment of the duct to the hood. First tighten the four corners to secure the duct, then tighten the remaining screws.

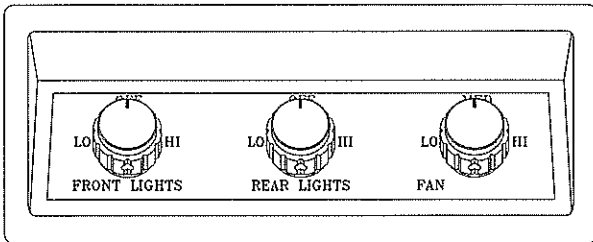


INSTALLATION OF GREASE TROUGHS, FILTERS, LAMPS

1. Grease trough location is on the underside (bottom), rear area of hood.
2. In the center of the space provided for the filters, insert one filter on the top ledge and pull back until the bottom of the filter slips into bottom ledge.
3. Slide the filter to one side.
4. Install the next filter by repeating step 2. There will be some side-to-side and front-to-back tension as the filters line up.
5. Install halogen bulbs. Use R20 size, 50 watt maximum, narrow flood light bulbs only (purchased separately).



USE AND CARE



CONTROLS

Always turn the hood on before cooking to establish an air flow. Allow the fan to operate for a few minutes to clear the air after you turn the grill off. This will help keep the area smoke free and fresher smelling.

FAN

The fan is controlled by a multi-speed switch. Printed speeds on the control panel correspond with fan speed.

COOKTOP LIGHTING

The halogen lights are controlled with two (ambient and brilliant) rotary switches. The lights can be turned on individually or simultaneously. To use the lights on brilliant setting, rotate switches clockwise. For ambient setting, rotate switches counter clockwise.

USE ONLY R20 SIZE, HALOGEN 50 WATT BULBS

FILTERS

Wash filters frequently either in a detergent solution, or by placing them in your dishwasher.

Replacement filters may be purchased from Lynx.

CLEANING

Do not allow excessive grease to accumulate. Refer to Cleaning Recommendations on last page for suggestions on cleaning metals and finishes.

DO NOT USE ABRASIVE CLOTH, STEEL WOOL PADS, OR SCOURING POWDERS.

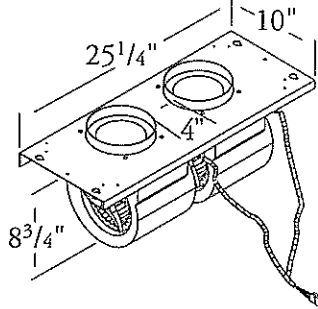
Vacuum fan to eliminate collected dust and particles. Do not immerse fan in water.

REPLACEMENT PARTS

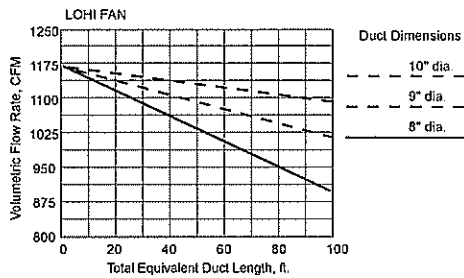
For purchasing replacement parts, contact Lynx.

IN-HOOD & REMOTE FANS

LOHI IN-HOOD FAN



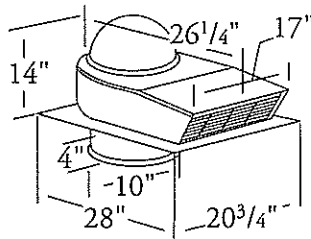
VOLUMETRIC FLOW RATE FOR EQUIVALENT DUCT LENGTHS



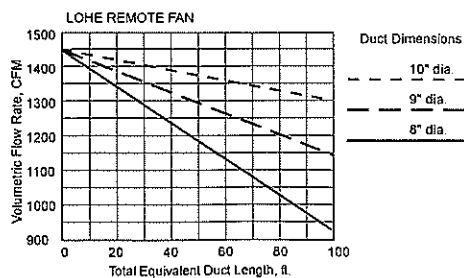
APPLICATION

Maximum CFM: 1200
 Electrical Motor Rating:
 8.0 Amps @ 115V AC, 60 Hz
 Duct Size at Discharge:
 8" X 21-1/4" X 10" Round Transition
 Use with hood series: LOH

LOHE REMOTE FAN



VOLUMETRIC FLOW RATE FOR EQUIVALENT DUCT LENGTHS

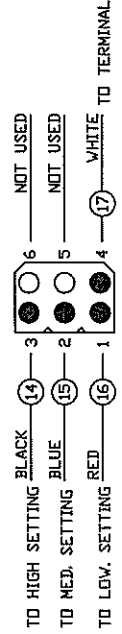
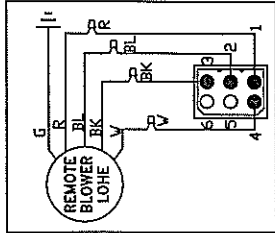
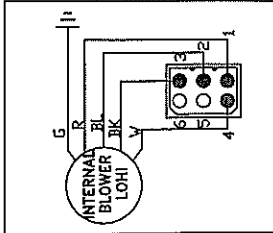
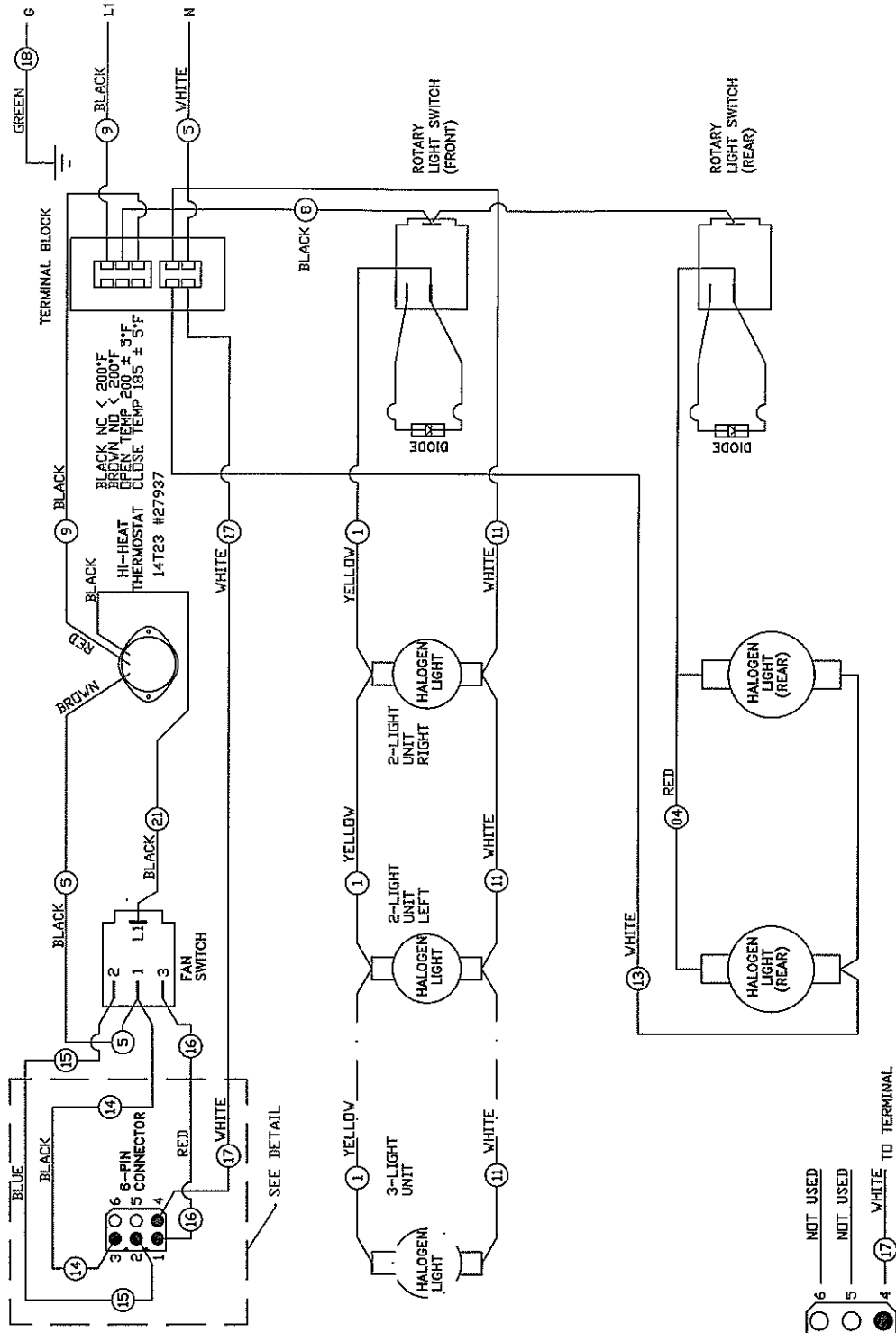


APPLICATION

Maximum CFM: 1400
 Electrical Motor Rating:
 12 Amps @ 115V AC, 60 Hz
 Duct Size at Discharge:
 10" Round
 Use with hood series: LOH

WIRING DIAGRAM FOR LYNX HOODS FOR USE WITH LOHI, OR LOHE BLOWERS

_____ 2-LIGHT UNITS (36" UNITS)
 _____ 3-LIGHT UNITS (48" UNITS)



6-PIN CONNECTOR

CLEANING RECOMMENDATIONS

BRUSHED STAINLESS STEEL

The Brushed Stainless Steel Hood should be cleaned with pre-washed flannel cloths and our recommended “Stainless Steel” cleaner. Always wipe in a manner which follows the grain. **DO NOT** clean with paper towels as they will scratch the surface. Different cleaning cloths other than cotton flannel may scratch the surface of the hood.

INTERIOR OF HOOD

All hoods are fitted with a brushed stainless steel liner. For cleaning, we recommend using pre-washed flannel cloths and “Stainless Steel” cleaner. Always wipe in a manner, which follows the grain. **DO NOT** clean with paper towels, as they will scratch the surface of the hood.

BAFFLE FILTERS AND GREASE CUPS

All Filters and Grease Cups may be cleaned by placing them in your dishwasher. The grease cups should first be cleaned of excess grease with a paper towel, then placed beside the baffle filters in your dishwasher for a thorough cleaning.

Lynx reserves the right to change specifications or design without notice. Some models are certified for use in Canada. Lynx is not responsible for products which are transported from the United States for use in Canada. Check with your local Canadian distributor or dealer.

