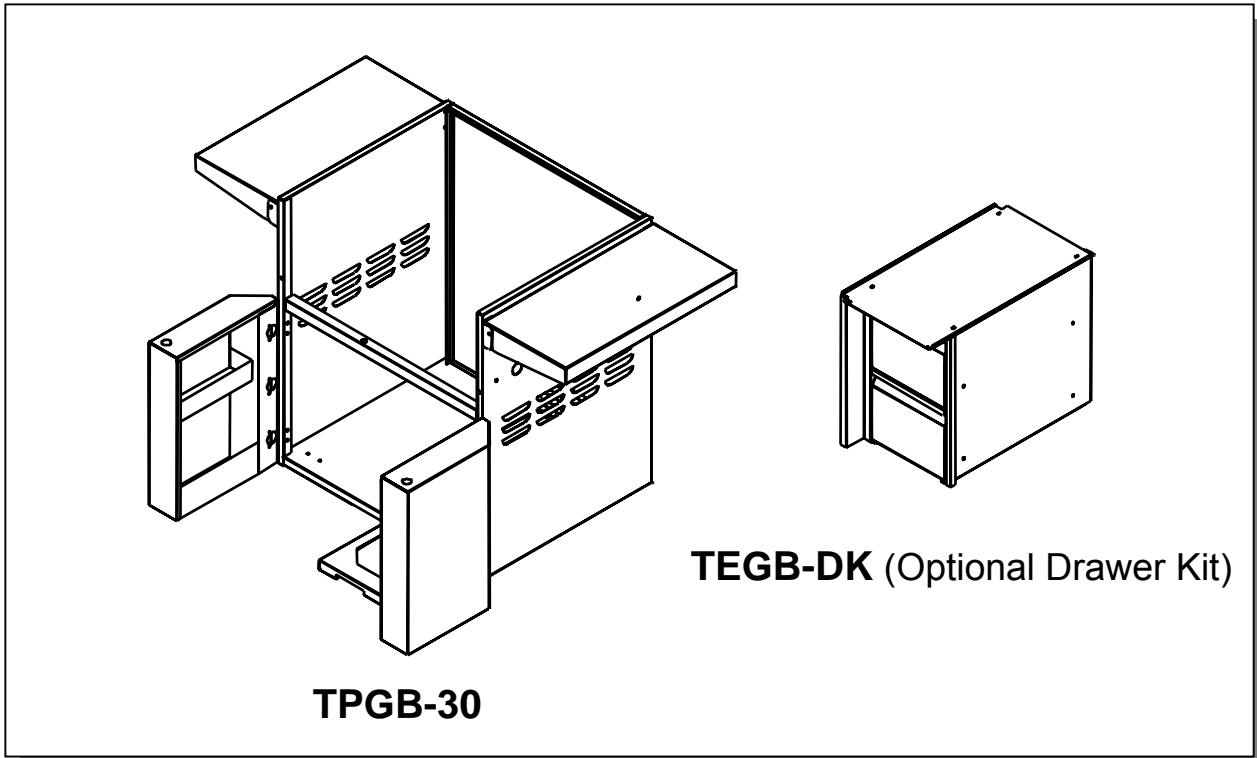




# Twin Eagles 30" Grill Base and Optional Drawer Kit

*Defining the Art of Outdoor Cooking*



**TPGB-30**

**TEGB-DK (Optional Drawer Kit)**

- Features:**
- ▼ #304 Stainless steel welded construction
  - ▼ Exclusive doors with spice trays
  - ▼ Concealed self closing door hinges
  - ▼ Fold-down side shelves
  - ▼ Pull out tank tray
  - ▼ Heavy duty casters with front brakes
  - ▼ Multi-position spice trays
  - ▼ Optional Concealed two storage drawers with 100 lbs. capacity, full extension and removable slides (TEGB-DK)

**Specifications:**

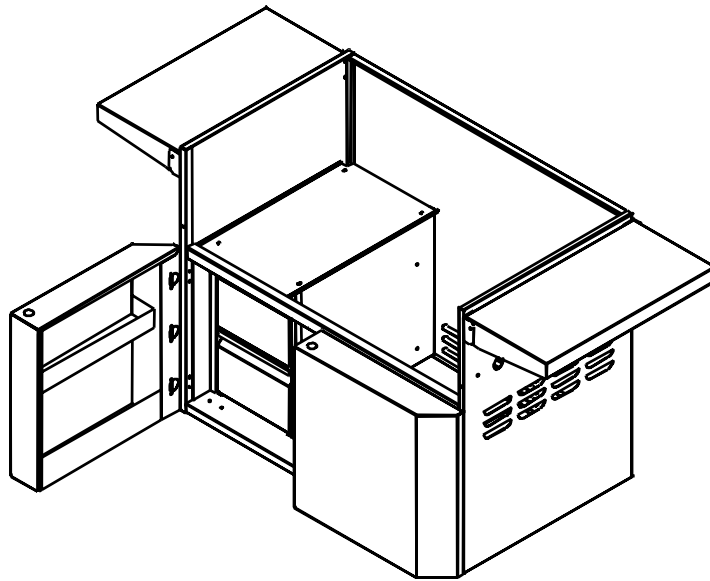
Overall Dimensions

	TPGB-30	TPGB-DK
Height	: 36.00"	: 19.00"
Width	: 54.50"	: 13.25"
Depth	: 29.00"	: 24.00"
Weight	: 100 lbs	: 30 lbs



## Twin Eagles 42" Grill Base

*Defining the Art of Outdoor Cooking*



**TPGB-42P**

### Features:

- ▼ #304 Stainless steel welded construction
- ▼ Exclusive doors with spice trays
- ▼ Concealed self closing door hinges
- ▼ Fold-down side shelves
- ▼ Pull out tank tray
- ▼ Heavy duty casters with front brakes
- ▼ Multi-position spice trays
- ▼ Concealed two storage drawers (standard)
- ▼ Heavy duty, 100 lbs. capacity, full extension and removable slides

### Specifications:

#### Overall Dimensions

Height	: 36.00"
Width	: 66.50"
Depth	: 29.00"
Weight	: 180 lbs